

**Montgomery
Ward**

**Montgomery
Ward** *Overgrown
trees
ahead!*

Corded Convertible Chain/Pole Saw



Instruction Manual

ITEM: 769168

Montgomery Ward Customer Service
3650 Milwaukee Street, Madison, WI 53714
8:00 am to Midnight, Monday through Friday

Wards.com 1•888•557•3848

Wards.com 1•888•557•3848

Montgomery Ward

Thank you
for your
purchase!

Thank you for purchasing your Montgomery Ward Convertible Chain Saw/Pole Saw. Put through the paces by the experts, we guarantee that it will perform to the highest standard, time after time, with all the convenience, easy cleanup and durability you rely on from Wards.

Table of Contents

Important Safeguards	3-4
Electrical Safety	4
Specifications	4
Parts & Features.....	5
Assembly	6-7
How to Use	8-15
Cleaning & Care.....	16-18
Troubleshooting	19
Return Information	20
Warranty.....	21

READ CAREFULLY BEFORE USING AND SAVE THESE INSTRUCTIONS!

- Failure to follow the warnings and instructions may result in electrical shock, fire and/or serious injury.
- Keep work area clean and well lit. Cluttered or dark areas invite accidents.
- DO NOT operate power tools in the presence of flammable liquids, gases or dust. Power tools create sparks which may ignite dust or fumes.
- DO NOT use this saw for other than its intended use. DO NOT use for cutting plastic, masonry or non-wood building materials.
- Remove all packaging materials before first use. Dispose of the packaging materials via the appropriate recycling system. DO NOT allow children to play with packaging materials. DO NOT remove safety labels.
- While operating this tool, avoid body contact with earthed or grounded surfaces, such as pipes, radiators or appliances. There is an increased risk of electrical shock if your body is earthed or grounded.
- DO NOT expose power tools to rain or wet conditions. DO NOT use near water. If operating a power tool in a damp location is unavoidable, use a ground fault circuit interrupter (GFCI) protected outlet.
- DO NOT use the cord for carrying, pulling or unplugging the power tool. Keep cord away from heat, oil, sharp edges or moving parts. Damaged or entangled cords increase the risk of electrical shock. DO NOT cover the cord with a rug.
- The extension cord must be rated for outdoor use (SW-A, SOW-A, STW-A, SJW-A, or SJTW-A) and must have a marked electrical rating at least as great as the electrical rating of this tool.
- CLOSE SUPERVISION IS NECESSARY WHEN USING THIS APPLIANCE NEAR CHILDREN, BYSTANDERS OR ANIMALS. KEEP AT LEAST 50 FT. AWAY.
- DO NOT use an accessory or attachment not recommended by Wards, as this may cause injury, or damage the tool.
- Stay alert, watch what you are doing and use common sense when operating a power tool. DO NOT use a power tool while you are tired or under the influence of drugs, alcohol or medication.
- DO NOT wear loose clothing or jewelry. Keep your hair, clothing and gloves away from moving parts.
- DO NOT rely exclusively upon the safety devices built into the saw. Take steps to keep your cutting jobs free from accident or injury.
- Always wear eye protection. Protective equipment (dust mask, safety shoes, hard hat, or hearing protection) for appropriate conditions will reduce injuries.
- Keep all parts of the body and clothing away from the saw chain when the chain saw is operating.
- Ensure the switch is off before plugging in, picking up or carrying the tool.



Intertek

Wards.com

Important Safeguards (cont.)

- This saw is not designed to fell large (over 10") diameter tree tops or trunks.
- Never stand under the limb being trimmed. Position yourself out of the way of falling debris.
- DO NOT overreach and DO NOT cut above chest height.
- Keep handles dry, clean, and free from oil and grease.
- Follow instructions for lubricating, chain tensioning and changing accessories.
- DO NOT USE A TOOL WITH A DAMAGED SWITCH, CORD OR PLUG, OR AFTER IT MALFUNCTIONS, OR HAS BEEN DAMAGED IN ANY MANNER.
- Store idle power tools out of the reach of children and DO NOT allow persons unfamiliar with it or these instructions to operate the power tool.
- Old tools contain valuable materials that can be recycled. Dispose of your old tools using appropriate collection systems, in accordance with local and federal regulations.

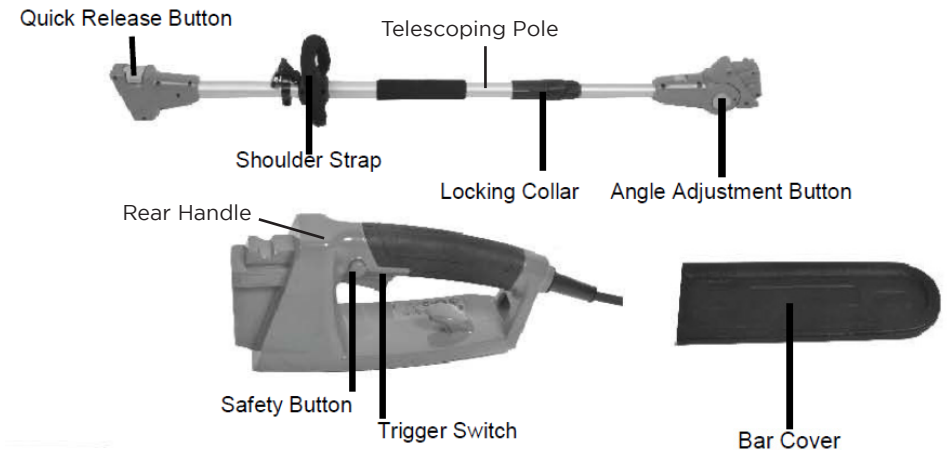
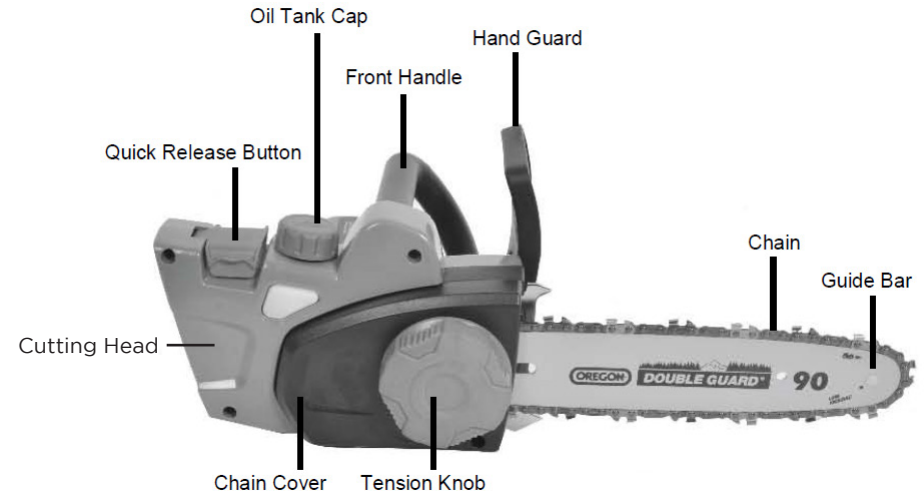
Electrical Safety

This appliance is equipped with a polarized plug in which one prong is wider than the other. This is a safety feature to reduce the risk of electrical shock. Attach an extension cord to the tool before connecting to an electrical outlet. The plug will fit only one way. If you are unable to attach the cord, try reversing it. If it still does not fit, contact a qualified electrician. Do not attempt to modify the plug in any way. Double insulation eliminates the need for the usual 3-prong grounded power cord. All exposed metal parts are isolated from the internal metal motor components with protecting insulation. Double insulated tools DO NOT need to be grounded. Wards cannot accept any liability for damage or injury resulting from failure to observe these safety procedures.

Specifications

POWER RATING	120V, 60Hz, 7A
SPEED	12m/s, 6000 rpm
BAR LENGTH	10"
DIMENSIONS chain saw only	26" W x 6½" H x 8¾" D
EXTENDED POLE LENGTH	96"
WEIGHT	10.27 lbs.
MODEL	CVPS43010MW

Parts & Features

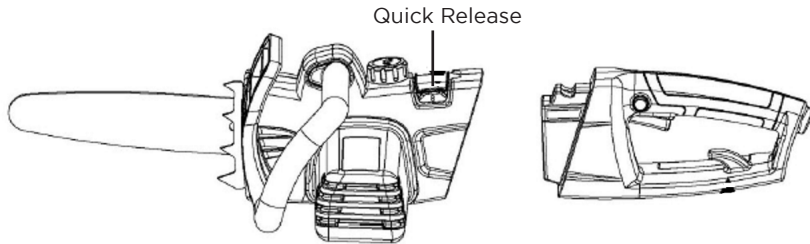


Note: Tie the extension cord and power cord in a knot to prevent them from disconnecting during use. Make the knot as shown, then connect the plug end of the power cord into the receptacle end of the extension cord.

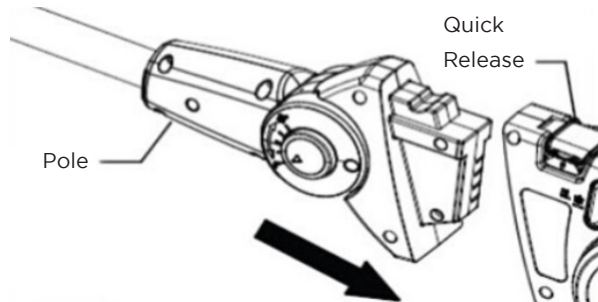


CONVERTING FROM CHAIN SAW TO POLE SAW

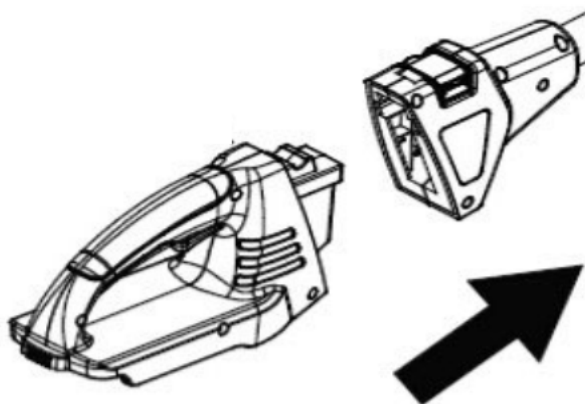
1. Disconnect the saw from the power supply. Lift the quick release button. Pull to remove the handle from the cutting head.



2. Insert the pole into the cutting head. Press down the quick release button. Make sure the release button snaps firmly to lock the parts securely.

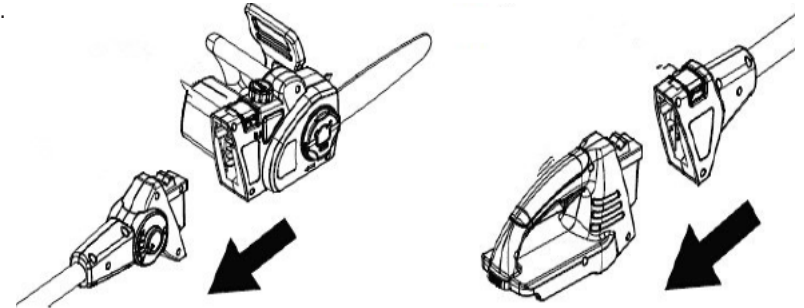


3. Insert the rear handle into the end of the pole. Press down the quick release button and ensure it snaps firmly into position to lock the handle securely.



CONVERTING FROM POLE SAW TO CHAIN SAW

1. Disconnect the saw from the power supply. Disconnect rear handle and cutting head from ends of pole by lifting the quick release buttons and pulling straight out.



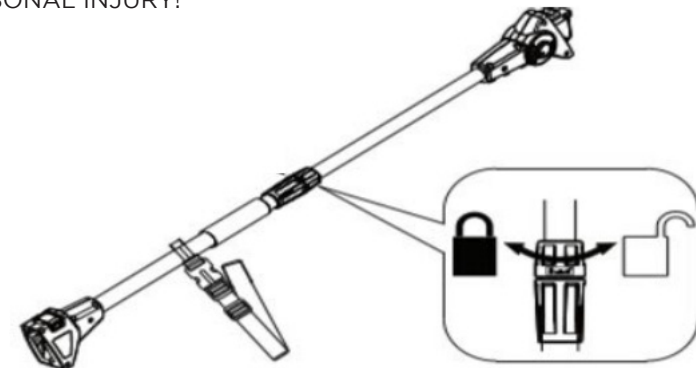
2. Insert the rear handle directly into the cutting head. When fully inserted, press down the quick release button and ensure it snaps in firmly and securely, locking the parts together.

ADJUSTING THE LENGTH OF THE TELESCOPING POLE

1. Disconnect the saw from the power supply. Rotate the collar counterclockwise to loosen. Extend the pole to the desired length.

Note: Only extend the pole to minimum length required to reach the limb or shrub to be cut.

2. Lock the pole in position by turning the collar clockwise firmly to secure. **FAILURE TO LOCK THE COLLAR AS DIRECTED COULD RESULT IN PERSONAL INJURY!**



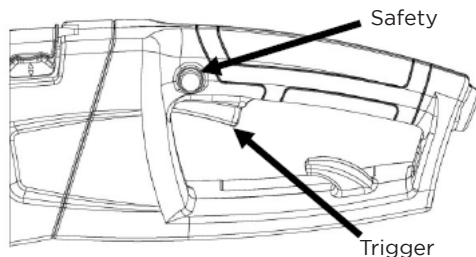
WARNINGS:

- Before you start the saw, make sure the saw chain is not contacting anything.
- ALWAYS HOLD THE CHAIN SAW WITH YOUR RIGHT HAND ON THE REAR HANDLE WHETHER YOU ARE RIGHT OR LEFT HANDED. Wrap the fingers of your left hand over and around the front handle when using the saw, or around the pole shaft when using the pole saw. Use a firm grip and position the handle against your body to maintain control of the saw. DO NOT reverse hands.
- Hold by insulated gripping surfaces only. Saw chains contacting a live wire may make exposed metal parts of the power tool live and could cause electrical shock. Maintain a distance of 50 ft. away from all electrical lines.
- DO NOT operate a chain saw while up in a tree or on a ladder.
- Operate the chain saw only when standing on a fixed, secure and level surface.
- When cutting a limb that is under tension, be alert for spring back. When the tension in the wood fiber is released, the limb may strike the operator and/or throw the chain saw out of control.
- Use extreme caution when cutting brush and saplings. Slender material may catch the saw chain and be whipped toward you or pull you off balance.
- DO NOT use saw to cut vines or small underbrush.
- Carry the chain saw by the front handle with the chain saw switched off and away from your body. Always attach the bar cover when transporting.
- Check for damaged parts before using this tool. Check for alignment of moving parts, binding of moving parts, breakage and any other defect.
- Keep the cord away from the chain. Be careful not to trip over the cord.

BEFORE 1ST USE, fill oil well with new quality bar and chain oil. Unused SAE30 weight motor oil may be substituted, if necessary.

STARTING THE SAW

Plug in the saw. Push the safety button in with your thumb and then squeeze the trigger with your fingers. Once the saw is running, you can release the safety. To turn off, release the trigger. BE AWARE THAT THE CHAIN WILL COAST WHEN TURNED OFF.

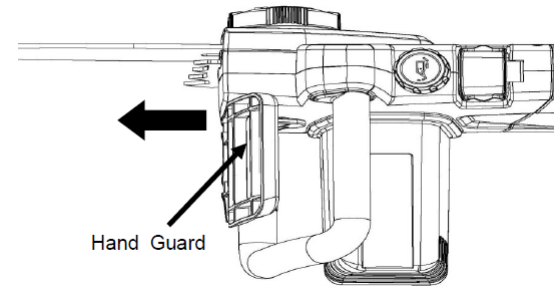


PROPER CUTTING STANCE

1. Weight should be balanced with both feet on solid ground.
2. Keep left arm with elbow locked in a "straight arm" position to withstand any kickback force when using saw. Your right hand should be gripping the handle and positioned firmly against body for added support.
3. Your body should always be to the left of the chain.

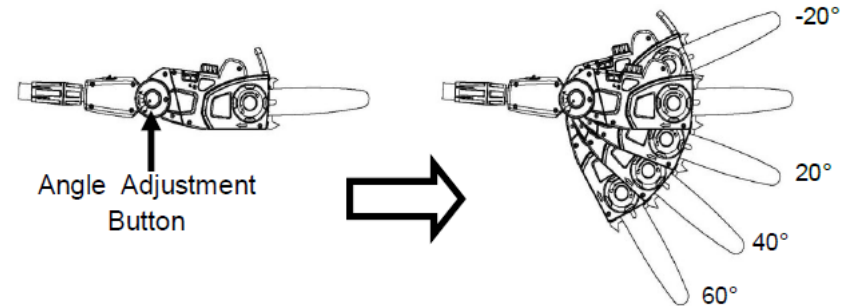
BRAKE

To immediately stop the saw, use the back of your left hand to push the hand guard forward.



ADJUSTING THE ANGLE OF HEAD ON POLE SAW

1. Disconnect the saw from the power supply. Press the angle adjustment button.
2. Turn the saw to the desired angle.
3. The angle can be adjusted between -20 and 60 degrees.



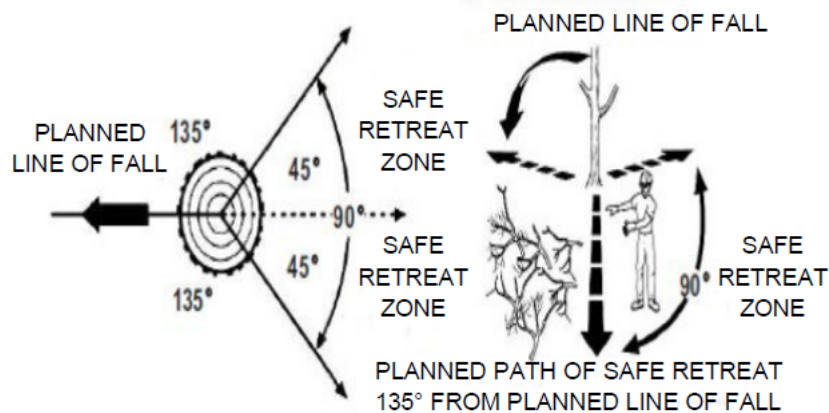
BASIC CUTTING PROCEDURES

1. Practice cutting a few small limbs using the following steps to get the feel of using the saw before beginning a larger project.
 - a. Take the proper stance in front of the wood with the saw off.
 - b. Squeeze the trigger and let the chain accelerate to full speed before starting the cut.

- c. Keep the saw running the entire time you are cutting and maintain a steady speed.
 - d. Allow the chain to do the cutting. Exert only light downward pressure. Forcing the cut can damage the bar, chain or saw, or can result in serious injury.
 - e. DO NOT put pressure on the saw at the end of the cut.
2. Small trees up to 6-7" in diameter are usually cut in a single cut. Larger trees (10" maximum diameter) require notch cuts. Closely monitor the top of the tree to ensure it will fall in the desired direction.

FELLING A TREE

1. Trees should not be felled in a manner that would endanger any person, strike any utility line or cause any property damage. IF A TREE MAKES CONTACT WITH A UTILITY LINE, NOTIFY THE UTILITY COMPANY IMMEDIATELY.
2. When felling a small tree, keep everyone a safe distance from the cutting area. A safe distance is at least twice the height of the largest trees in the area.
3. Check the tree for damaged or dead branches that could fall during felling.
4. Before any cuts are started, pick your escape route (or routes in case the intended route is blocked); clear the immediate area around the tree and make sure there are no obstructions in your planned path of retreat. A clear path of safe retreat is approximately 135 degrees from planned line of fall. The retreat path should extend back and diagonally to the rear of the expected line of fall.

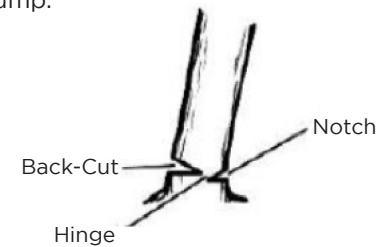


5. Consider the force and direction of the wind, the lean and balance of the tree, and the location of large limbs. These things influence the direction in which the tree will fall.
6. The saw operator should stay on the uphill side of the terrain, as the tree is likely to roll or slide downhill after it is down.

WARNINGS:

- DO NOT cut down trees having an extreme lean or large trees that have rotten limbs, loose bark or hollow trunks.
- DO NOT try to fell a tree along a line other than its natural line of fall.
- DO NOT fell trees during periods of high wind or heavy precipitation.

7. Remove dirt, stones, loose bark, nails, staples and wire from the tree where cuts are to be made.
8. Notched Undercut: Cut a notch about 1/3 diameter of the tree, perpendicular to the direction of the fall. Make the cuts of the notch so they intersect at a right angle to the line of fall. This notch should be cleaned out to leave a straight line. To keep the weight of the wood off the saw, always make the lower cut of the notch before the upper cut.
9. Back-Cut: This cut is always made level and horizontal, and at a minimum of 2" above the horizontal cut of the notch. Never cut through to the notch. This is called "hinge" or "hinge wood." It controls the fall of the tree and prevents slipping or twisting of the tree off the stump.



WARNING: If the tree starts to fall in the wrong direction, or if the saw gets caught or hung up during the fall, leave the saw and save yourself.

WARNING:

Kickback is when the bar of the saw is driven rapidly up and back toward the operator while cutting and may cause loss of control of the saw. It is usually caused by incorrect operating procedures or poor conditions.

- Decreasing the depth gauge height can lead to increased kickback. The depth gauge should be maintained at a clearance of .025 in. (0.6 mm). Use a depth gauge tool for checking the depth gauge clearances or have a qualified service person check it.
- Kickback may occur when the tip of the bar touches an object, or when the wood pinches the chain in the cut.
- Pinching the saw chain along the top of the bar may cause kickback.
- Ensure the area in which you are cutting is free from obstructions.
- Always cut with the saw running at full speed. Fully squeeze the trigger and maintain a steady cutting speed.
- Wear nonslip gloves for maximum grip protection.
- Cut lower branches first to allow the top branches more room to fall.
- Maintain a firm grip, with thumbs and fingers encircling the chain saw handles. Keep both hands on the saw and position your body and arms to allow you to resist kickback forces. DO NOT let go of the chain saw.

BUCKING is cutting a fallen tree to the desired log length.

1. Overbucking: Begin on the top side of the log with the bottom of the saw against the log; exert light pressure downward. Note that the saw will tend to pull away from you. When a log is supported along its entire length, use overbucking.
2. Underbucking: Begin on the under side of the log with the top of the saw against the log; exert light pressure upward. During underbucking, the saw will tend to push back at you. When a log is supported on one end, cut $\frac{1}{2}$ diameter from the underside (underbucking) and make the finishing cut by overbucking to meet the first cut.
3. Always make sure your footing is secure and your weight is distributed evenly on both feet.
4. Cut only one log at a time. Support small logs on a saw horse or another log while bucking.
5. Keep a clear cutting area. Make sure that no objects can contact the bar tip or chain during cutting.

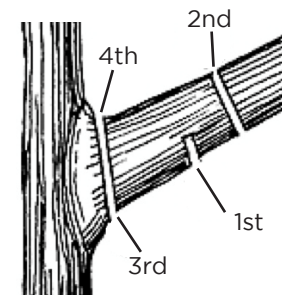
6. When bucking on a slope, stand on the uphill side of the log.
7. When cutting through, release the cutting pressure near the end of the cut without relaxing your grip on the handles. DO NOT let the chain contact the ground.
8. After completing the cut, wait for the chain to stop before you move the saw. Always stop the motor before moving from tree to tree.

LIMBING is removing branches from a fallen tree.

1. Work slowly, keeping both hands on the saw with a firm grip.
2. Always make sure your footing is secure and your weight is distributed evenly on both feet.
3. Leave the larger limbs under the tree to keep the tree off the ground while cutting.
4. Cut 1 limb at a time and remove the cut limbs from the area often to keep the work area clean and safe.
5. Branches under tension should be cut from the bottom up to avoid binding the saw.
6. Keep the tree between you and the saw while limbing. Cut from the side of the tree opposite the branch you are cutting.

PRUNING is trimming limbs from a standing tree.

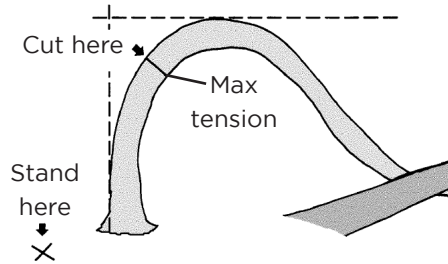
1. Work slowly, keep both hands on the pole saw with a firm grip and the handle positioned firmly against your body for added control and ease of handling.
2. Always make sure your footing is secure and your weight is distributed evenly on both feet.
3. When pruning trees, it is important not to make the finishing cut next to the main limb or trunk until you have cut off the limb further out to reduce the weight. This prevents stripping the bark from the main limb or trunk.
4. Make the 1st cut 6" from the tree trunk on underside of limb. Cut $\frac{1}{2}$ through diameter of limb.
5. Make the 2nd cut from above the limb, 2-4" farther out. Cut through the limb.
6. Make the 3rd cut as close to tree trunk as possible on underside of limb stub. Cut $\frac{1}{2}$ through diameter of stub.
7. Make the 4th cut directly above third cut. Cut down to meet the 3rd cut and remove limb stub.



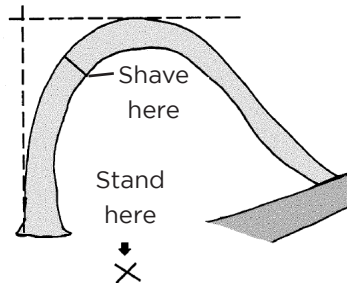
SPRING POLES are branches or saplings which are bent under tension by other wood. A spring pole will spring back if the spring pole, or the wood holding it, is cut or removed.

WARNING: Spring poles are dangerous and cutting them could result in severe or fatal injury.

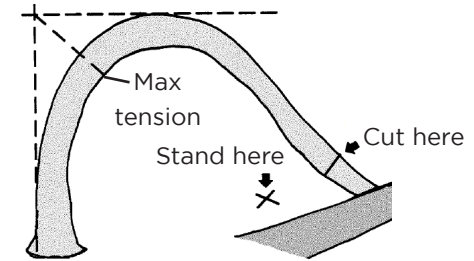
1. Spring poles may be cut from the top. To cut a spring pole from the top, you must stand at 45 degrees to avoid being hit by the spring pole if the tension is released suddenly. From this position, the chain saw can be used to make a succession of small cuts at the maximum point of tension until the fibers begin to break by themselves. At this time, you should move away from the tree and let the pressure release itself.



2. Spring poles may also be released from underneath. To do this, stand at 90 degrees to the spring pole and use the chain saw to shave wood off the underside of the spring pole at the maximum point of tension. DO NOT cut into the spring pole as the compression of the wood will pinch the saw. After enough wood is shaved, the fibers will begin to break by themselves and you can stand aside and let the spring pole release its tension naturally.



3. If the point of maximum tension on the spring pole is higher than your shoulders, the spring pole should be released from the top. Stand under the spring pole, trim any branches that may be in the way and then release the spring pole by cutting off the top. When released, the spring pole should fly up and away from you.

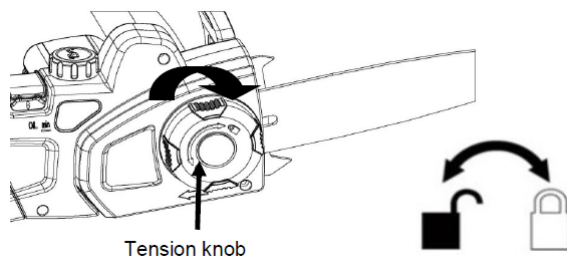


WARNING: Never touch or adjust the chain while the motor is running. The chain is very sharp; always wear protective gloves when performing maintenance.

CHAIN TENSION

After a period of usage, the chain may get loose.

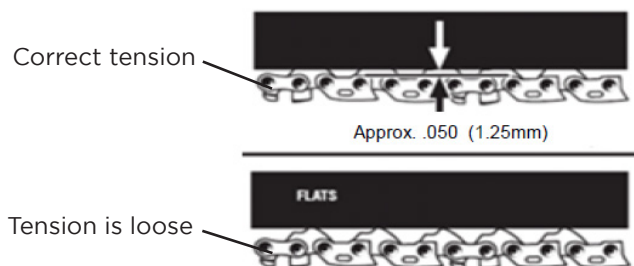
1. Disconnect the saw from the power supply. Unlock the tension knob by turning counterclockwise.



2. Turn the tension knob clockwise to increase tension on the chain.

Note: A chain tensioned while warm, may be too tight upon cooling. Check the cold tension before next use.

3. During normal saw operation, the temperature of the chain will increase. The drive links of a correctly tensioned warm chain will hang approximately .050" (1.25mm) out of the bar groove. A cold chain will be correctly tensioned when there is no slack on the underside of the bar, the chain is snug, but it can be turned by hand without binding.



4. The chain must be tightened whenever the flats on the drive links hang out of the bar groove.
5. When the tension knob is fully tightened, the chain is the tightest. If the chain is too tight, it will not rotate. To make minor adjustments to the chain tension, loosen the tension knob by turning it counterclockwise *slightly* until the chain is correctly tensioned.

Note: A new chain tends to stretch. Check chain tension frequently and adjust, as needed.

WARNING: To assure product safety and reliability, repairs and maintenance should be performed by a qualified service person using identical replacement parts only!

CHAIN MAINTENANCE

1. Properly maintained cutting tools with sharp cutting edges are less likely to bind and are easier to control. Sharpening is needed when the wood chips are small and powdery, the chain must be forced through the wood during cutting, or the chain cuts to one side. Contact a qualified service person or hardware store for chain sharpening or replacement, as needed. **FAILURE TO REPLACE OR REPAIR A DAMAGED CHAIN CAN CAUSE SERIOUS INJURY.**
2. If the chain comes in contact with hard objects, such as nails or stones, or if it has been abraded by mud or sand on the wood, have the chain checked by a qualified service person.

LUBRICATION

1. Disconnect the saw from the power supply and add oil, as needed, to the oil well. The chain is automatically lubricated by the oil from the oil well. Check oil level before each use and refill the oil well if less than ¼ full.
2. Use only a good quality bar and chain oil or, if not available, unused SAE 30 weight motor oil may be substituted. One minute of use will consume about 0.15 fl. oz. (5ml) of oil.
3. **FAILURE TO LUBRICATE THE CHAIN WILL CAUSE DAMAGE TO THE BAR AND CHAIN.**

Note: It is normal for oil to seep from the chain saw cutting head when not in use. To prevent seepage, empty the oil tank after each use. When storing the unit for a long period of time (1 month or longer), be sure the chain is lightly lubricated; this will prevent rust on the chain and bar.

GUIDE BAR

When the guide bar shows signs of wear, it can be reversed to distribute the wear for maximum bar life. Contact a qualified service person if the bar needs to be reversed or replaced.

CLEANING

1. DO NOT let brake fluids, gasoline, petroleum-based products, etc., come in contact with plastic parts of this saw, as they contain chemicals that can damage, weaken or destroy plastic.
2. Disconnect the saw from the power supply before cleaning. Use only mild soap and a damp cloth to clean the tool. Never let any liquid get inside the tool and DO NOT IMMERSE ANY PART OF THE TOOL OR ITS CORD INTO A LIQUID.
3. The bar should be cleaned after every day of use and checked for wear and damage.
4. Ensure the bar cover is in place when storing or transporting the saw.
5. If the saw is not being used for longer than a month, wipe all metal surfaces with an oil-soaked cloth to protect from corrosion.
6. Store in a dry, clean area.

Problem	Possible Cause	Possible Solution
Unit does not run	Extension cord not connected to the saw	Check extension cord is fully connected to tool
	Cord not connected to power	Check extension cord is fully connected to a live outlet
	Trigger switch not fully operated	Check that safety button is fully depressed prior to moving trigger
Bar and chain running hot or smoking	Chain tension too tight	Adjust chain tension
	Oil tank empty	Add oil
	Chain installed in wrong direction	See a qualified service person to reverse
Motor runs but chain is not rotating	Chain tension too tight	Adjust chain tension
	Check guide bar and chain for damage	See a qualified service person to replace damaged bar and chain with identical replacement parts

If any item, for any reason, does not meet your expectations, just return it to us. We'll gladly either:

- Refund your merchandise amount
- Credit your account
- Send a replacement

You can return any unused item in its original packaging within 60 days of its receipt for a full refund of the purchase price (excluding shipping and handling charges).

Please send returns to:

**Montgomery Ward, Inc.
Attn: Customer Returns
2000 Harrison Suite 100
Clinton, IA 52732-6676**

When returning an item:

- Use the original packaging and pack it securely.
- Please adequately insure your item in case you need to make a claim with the carrier you choose for returning your item.
- Include your order number and reason for return.
- We recommend keeping the receipt for 4 weeks.

Montgomery Ward®

1 Year Limited Warranty

Montgomery Ward, Inc. warrants this Chef Tested product to be free from defects in material and workmanship for one year from provable date of purchase.

Within this warranty period, Montgomery Ward will repair or replace, at its option, defective parts of this Chef Tested product at no charge, provided the product is returned, freight prepaid with proof of purchase to Montgomery Ward.
Allow 2-4 weeks for return shipping.

This warranty does not cover improper installation, misuse, abuse or neglect on part of the owner. Warranty is also invalid in any case that the product is taken apart or serviced by an unauthorized service station.

This warranty gives you specific legal rights and they may vary from state to state.

THE FOREGOING WARRANTIES ARE IN LIEU OF ALL OTHER WARRANTIES AND CONDITIONS, EXPRESS OR IMPLIED, INCLUDING BUT NOT LIMITED TO THOSE OF MERCHANTABILITY OR FITNESS FOR A PARTICULAR PURPOSE.

Montgomery Ward Customer Service
8:00 am to Midnight CST, Monday through Friday

Wards.com 1-888-557-3848

